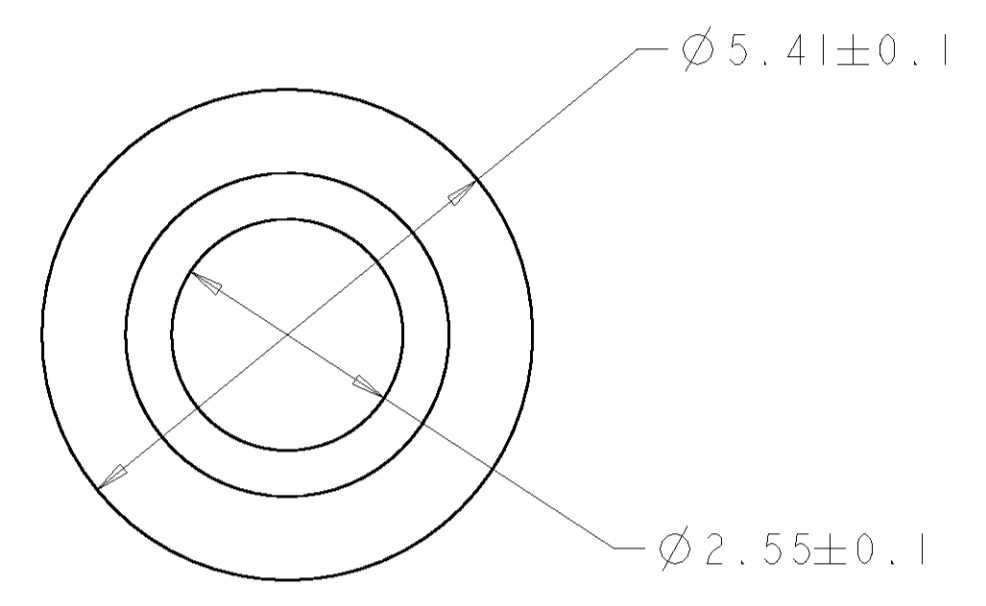
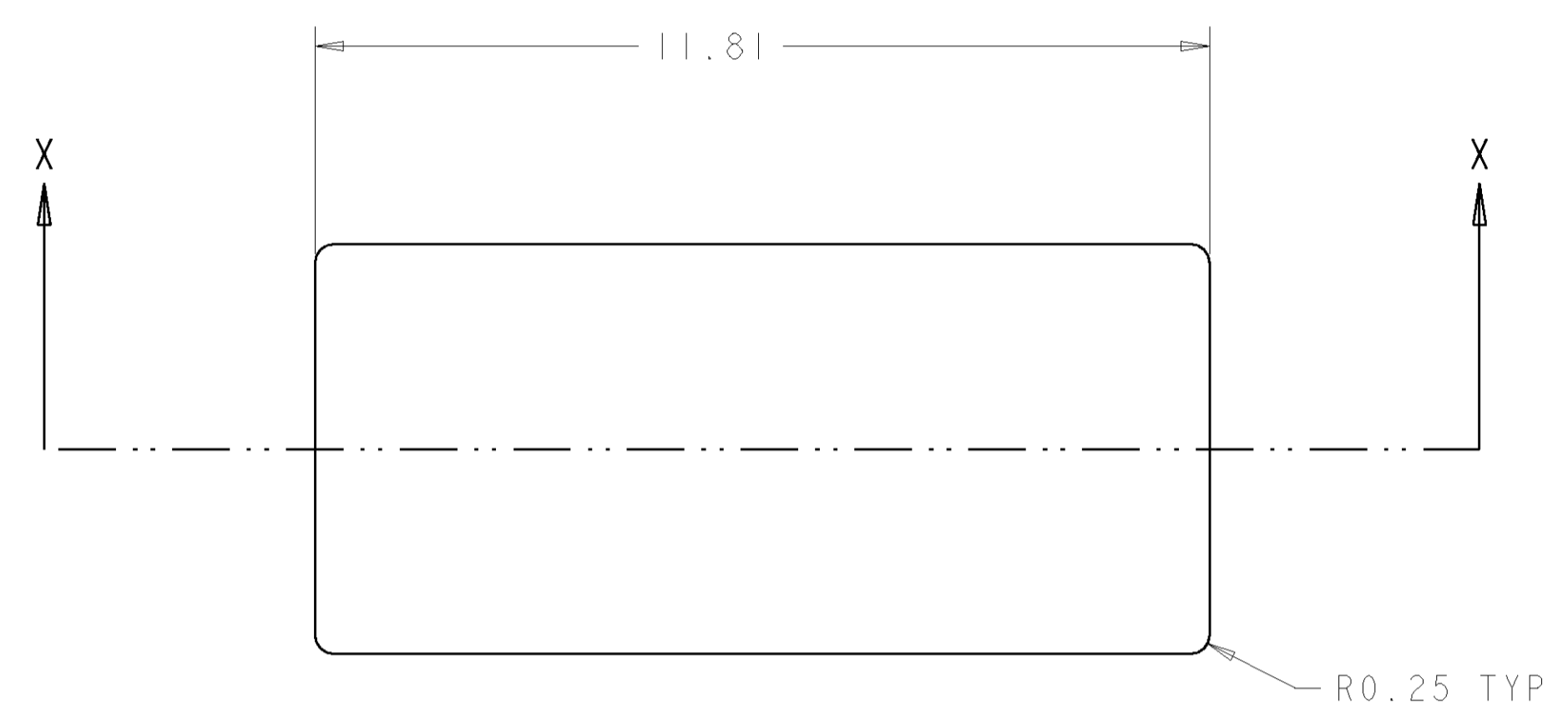
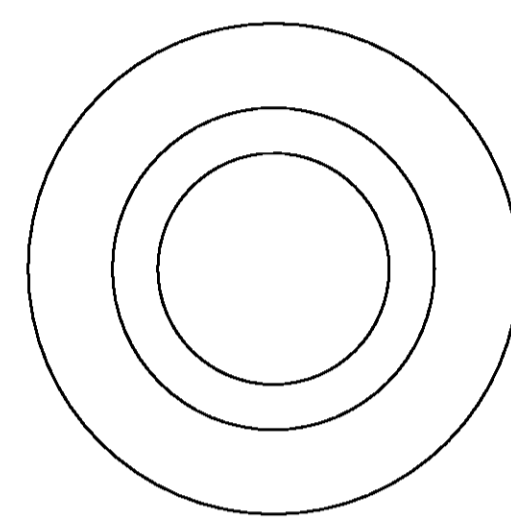
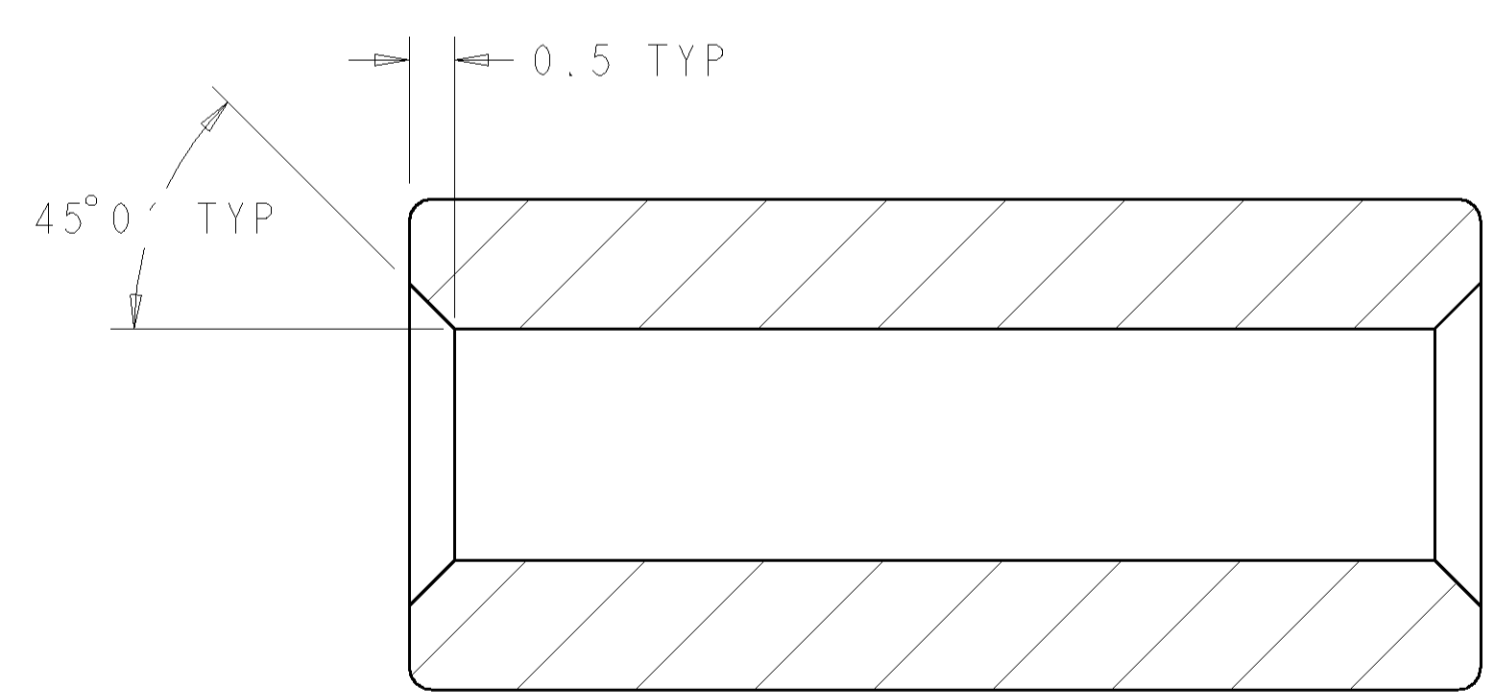


LOC		DIST		REVISIONS			
P	LTR	DESCRIPTION	DATE	DWN	APVD		
0		RELEASED	10-JUL-02	KW	JE		



- 1. MATERIAL: COPPER
- 2. PLATING: SILVER



SECTION X-X

1445763-1
PART NUMBER

<small>THE DIMENSIONS IN THIS DRAWING ARE UNLESS OTHERWISE SPECIFIED TO BE IN MILLIMETERS AND DECIMAL FRACTIONS THEREOF. DIMENSIONS IN PARENTHESES ARE FOR INFORMATION ONLY AND ARE NOT TO BE USED FOR FABRICATION UNLESS SPECIFICALLY NOTED OTHERWISE.</small>		DWN SHANE WIEST 14AUG01 CHK K. KETELSLEGER 14AUG01 APVD K. KETELSLEGER 14AUG01	tyco Electronics Tyco Electronics Harrisburg, PA 17105-3608
DIMENSIONS: mm 	TOLERANCES UNLESS OTHERWISE SPECIFIED: 0 PLC ± 1 PLC ± 2 PLC ±0.13 3 PLC ± 4 PLC ± ANGLES ± FINISH -	PRODUCT SPEC - APPLICATION SPEC - WEIGHT - CUSTOMER DRAWING	NAME REDUCING BUSHING 6 TO 14-16 AWG SIZE CAGE CODE DRAWING NO RESTRICTED TO A 00779 C=1445763 SCALE 12:1 SHEET 1 OF 1 REV 0